

## Red Jacket<sup>®</sup> Fixed Speed Reliability

Avoid pump downtime with one of the most reliable pumps in the industry

### Three Things to Consider when Evaluating Fixed Speed Against Variable Speed

- 1 Less pressure on motor bearings provides for a longer UMP lifespan.
- 2 Optimized motor speeds reduce premature wear.
- 3 Control boxes are less susceptible to overheating versus variable-speed drives, ensuring communication to properly functioning Submersible Turbine Pumps (STPs).



### ▶ WITH FIELD FAILURE RATES LESS THAN 1%, FIXED SPEED RELIABILITY PROVIDES:

#### Increased Safety

- Designed for increased safety during servicing with an automatic electrical disconnect

#### Stronger Performance

- Less loads on motor bearing allows UMP to run smoother
- Lower motor speeds reduce premature wear
- Longer bearing life increases UMP performance
- Less sensitive to power fluctuations increases uptime and UMP longevity
- Minimizes Electrical Noise with other devices that can result in inaccurate error readings and flow reductions

#### Lower Total Cost of Ownership

- No Variable Frequency Drive failures keeps the motor up and running
- Lower operating and servicing costs with less potential for failures
- Reduced labor costs with quicker installation

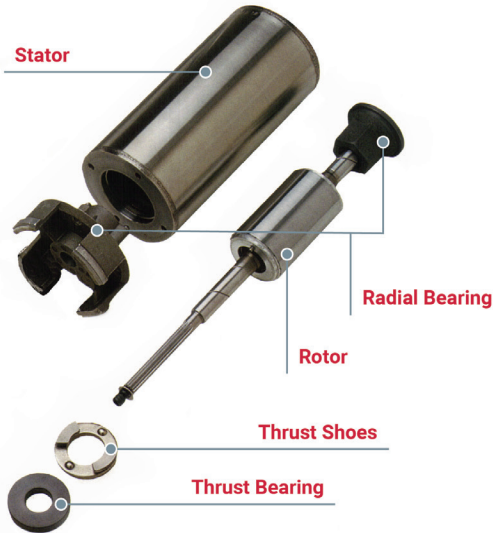
#### Maximized Efficiency

- Reduced power requirements with simple Control Box designs
- No need for Auxiliary Circuit units, reducing power consumption and keeping it simple



**REDUCE SERVICING.**  
AVOID DOWNTIME AND REPLACEMENT.

## Rotor and Stator



## ► ROTOR & STATOR FEATURES & BENEFITS

- **Robust Radial Bearing and Thrust Bearing Alignment System** for quieter running, less bearing wear, and truer running of motor shaft.
- **Greater Thrust Shoes surface area** allows for larger load carrying capabilities and a longer running life.
- **Stator ends & shell are made of Stainless Steel** for enhanced corrosion protection.
- **Stator electrical insulation Class B** for 5x increased life of insulation expectation.

## ► UNITIZED MOTOR & PUMP FEATURES & BENEFITS

- **Increased Air Gap between Rotor & Stator** results in greater liquid cooling, decreased motor temperature, and a longer UMP life.
- **Bronze Shaft Exit Gland** creates a more robust explosion-proof design.
- **Bearing Wear Ring** is in a permanent concentric location to absorb pump thrust loads.
- **Floating Impeller Stages** cause pump thrust loads to not be transferred to the motor, increasing motor life.

## Unitized Motor and Pump (UMP)

