



COMPOSITE ACCESS COVERS

UPP® brand composite access covers feature a lightweight, watertight design for safe and easy access to underground containment. Their large diameter openings provide a wide access point for larger containment spaces. The full composite construction of both the lid and the ring provide complete corrosion resistance. For the ultimate in easy access, dip models feature an integrated inspection port at the center of the cover lid. Additionally, the locking mechanism seal the cover down to prevent it from spinning out and thwart unwanted access.

Highlights

- Two size ranges are available to accommodate varying applications and access opening size requirements including a 35" (900mm) diameter access opening and a larger 42" (1,060mm) diameter access opening.
- Complete composite construction is corrosion resistant even in the harshest forecourt conditions as well as resistant to chemical corrosion from petroleum and alcohols.
- Composite construction resists warping and delamination.
- Extremely hard wearing and durable, will not spin out, buckle or lose shape due to pressure forces from vehicles.
- Lockable design provides increased on-site security and safety.
- Anti-slip surface for increased safety.
- Integrated cover O-ring creates a watertight seal between the cover and frame.
- Dip models available with integrated inspection port.
- Locking mechanism key included.
- All component parts are resistant to chemical attack, diesel, petrol, salt and water or a combination over the lifespan of the cover (surface discoloration is acceptable in service).
- Access cover lifting handles make cover removal safe and easy (sold separately).
- Access cover skirts available (sold separately).

Specifications

35" (900mm) Composite Access Cover Specifications

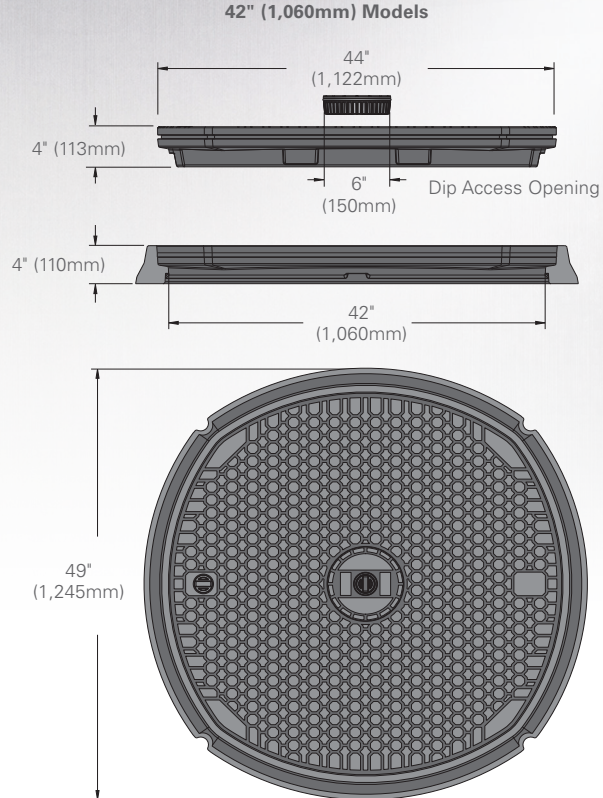
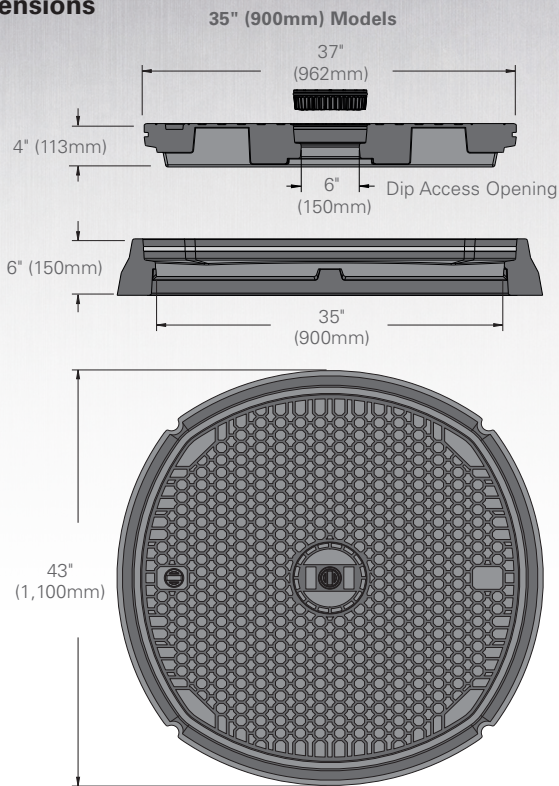
- Load rating: EN124 Class C250 & D400
- Clear opening: 35 7/16" (900mm) diameter
- Cover external dimension: 37 7/8" (962mm) diameter
- Frame external dimension: 43 5/16" (1,100mm) diameter
- Cover weight: 68 lbs (31kg)
- Frame weight: 33 lbs (15kg)
- Tread: Embedded aggregate – uni-directional, complies with EN124
- Material: Advanced fiberglass composite.

42" (1,060mm) Composite Access Cover Specifications

- Load rating: EN124 Class C250
- Clear opening: 41 3/4" (1,060mm) diameter
- Cover external dimension: 44 3/16" (1,122mm) diameter
- Frame external dimension: 49 1/16" (1,245mm) diameter
- Cover weight: 88 lbs (40kg)
- Frame weight: 29 lbs (13kg)
- Tread: Embedded aggregate – uni-directional, complies with EN124
- Material: Advanced fiberglass composite.

Specifications continued

Dimensions



Ordering Information

Composite Access Covers

| Model | Description |
|------------|---|
| PCR090 | 35" (900mm) composite access cover, C250 rating |
| PDR090 | 35" (900mm) composite access cover, D400 rating |
| PCR090-DIP | 35" (900mm) composite access cover with integrated dip inspection port, C250 rating |
| PCR106 | 42" (1,060mm) composite access cover, C250 rating |
| PCR106-DIP | 42" (1,060mm) composite access cover with integrated dip inspection port, C250 rating |
| PCR-DIPCAP | Replacement dip cap for composite access covers |
| PCR-LIFT | Lifting handle tool for composite access covers |
| PCR-LOCK | Locking mechanism for composite access covers |
| PCR-PLUG | Locking mechanism replacement dust plug |
| SDFLX40FC | Sealant (to seal access cover frame to skirt) |



Lifting Handle Tool

35" (900mm) Composite Access Cover Accessories

| Model | Description |
|---------------|--|
| PDR090-S | Replacement gasket for 35" (900mm) composite access covers (between lid and frame) |
| PXR090-OCH-SK | 35" (900mm) fiberglass skirt, for use with OCH tank cambers |

42" (1,060mm) Composite Access Cover Accessories

| Model | Description |
|-------------------|--|
| PCR106-S | Replacement gasket for 42" (1,060mm) composite access covers (between lid and frame) |
| PCR106-OCH1400-SK | 42" (1,060mm) fiberglass skirt, for use with OCH tank cambers |
| PCR106-TSM4542-SK | 42" (1,060mm) fiberglass skirt, for use with TSM tank cambers |